

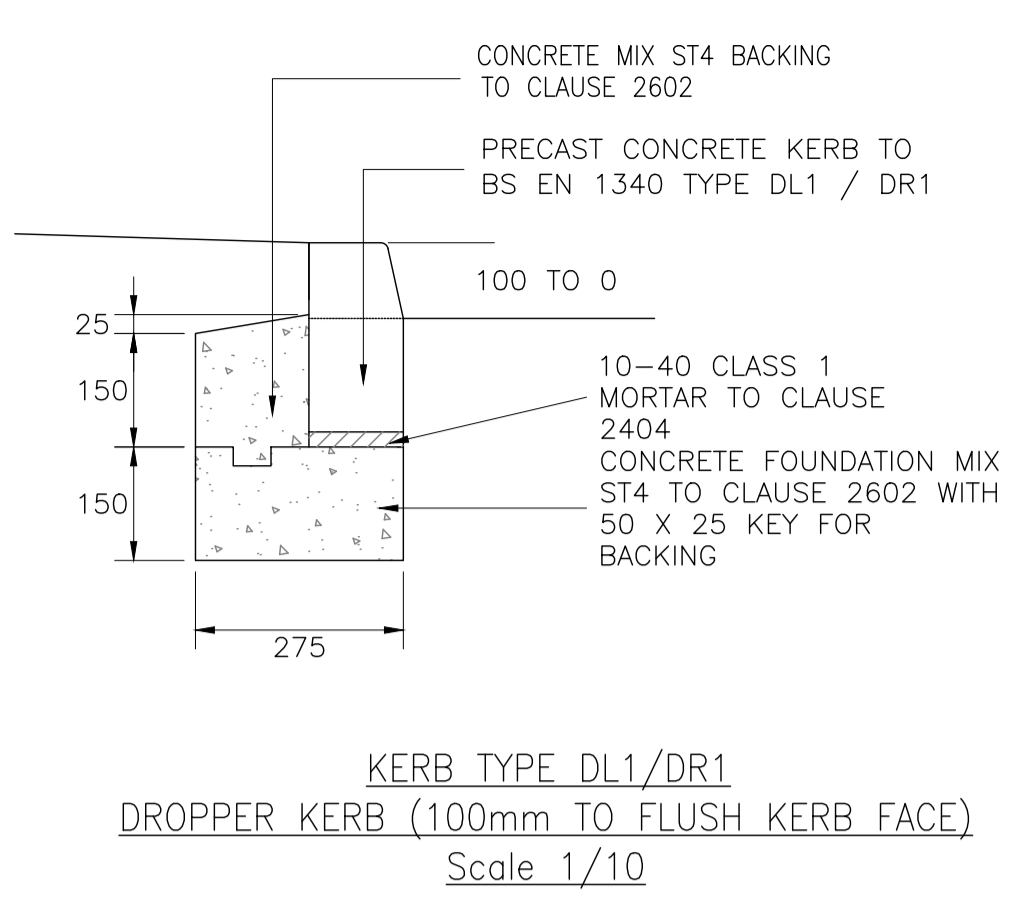
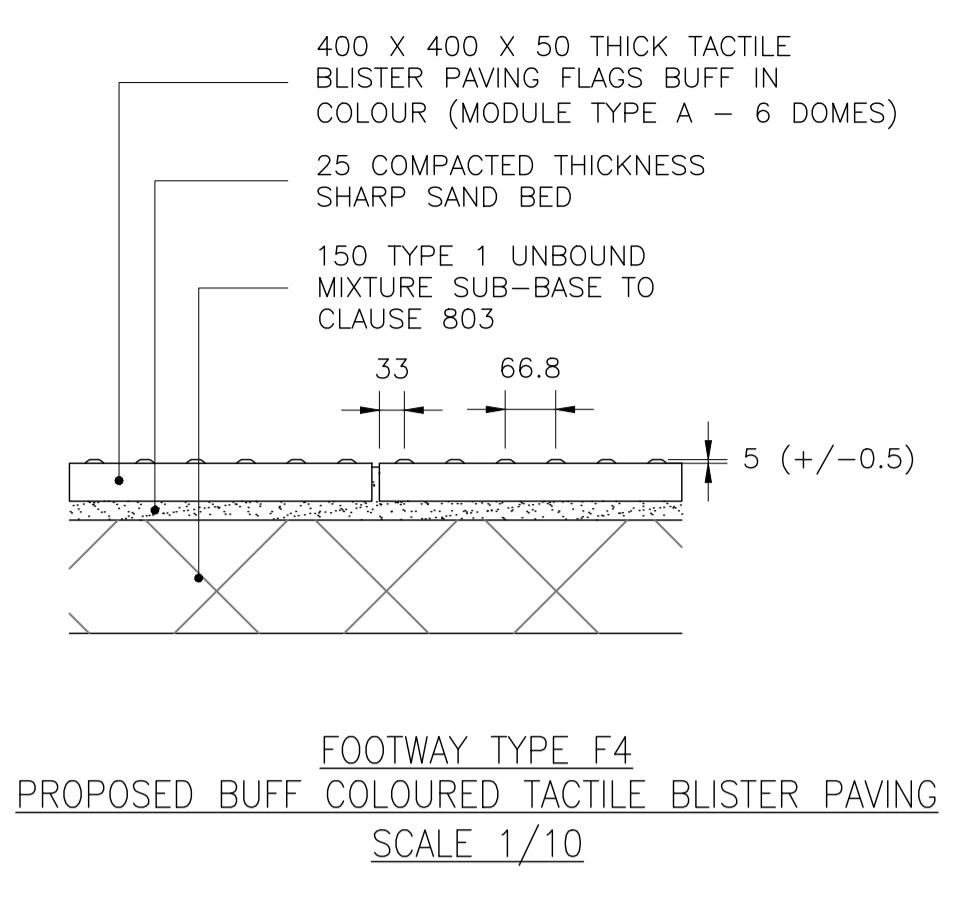
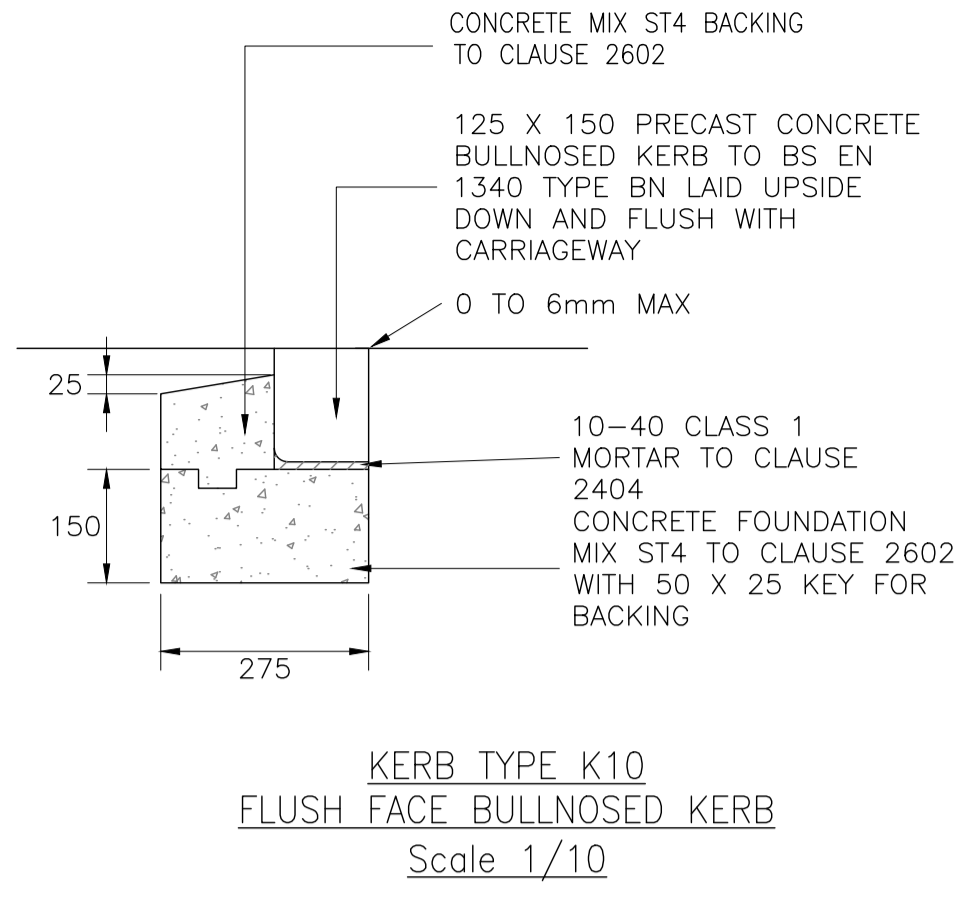
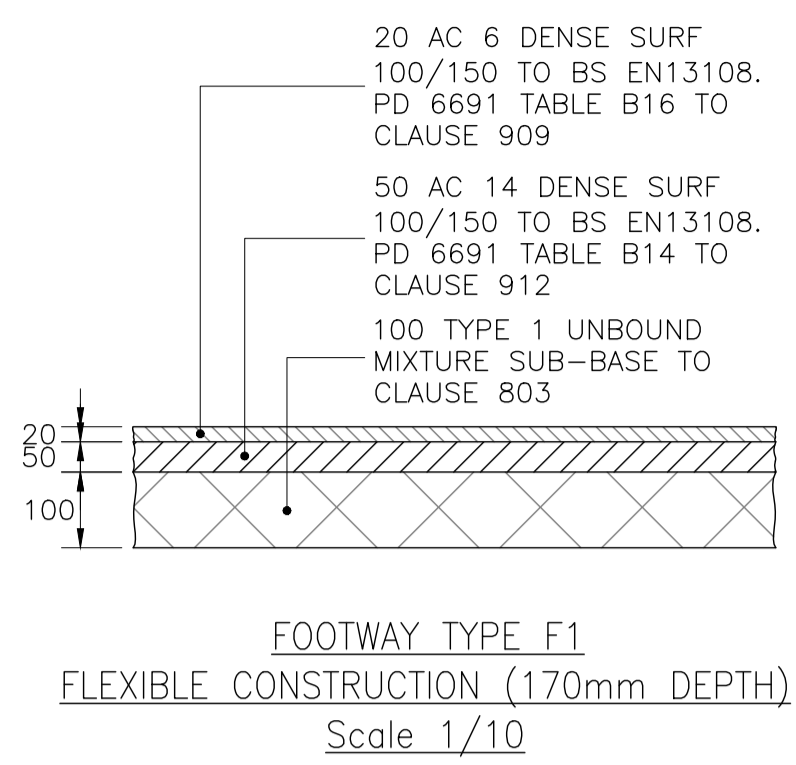
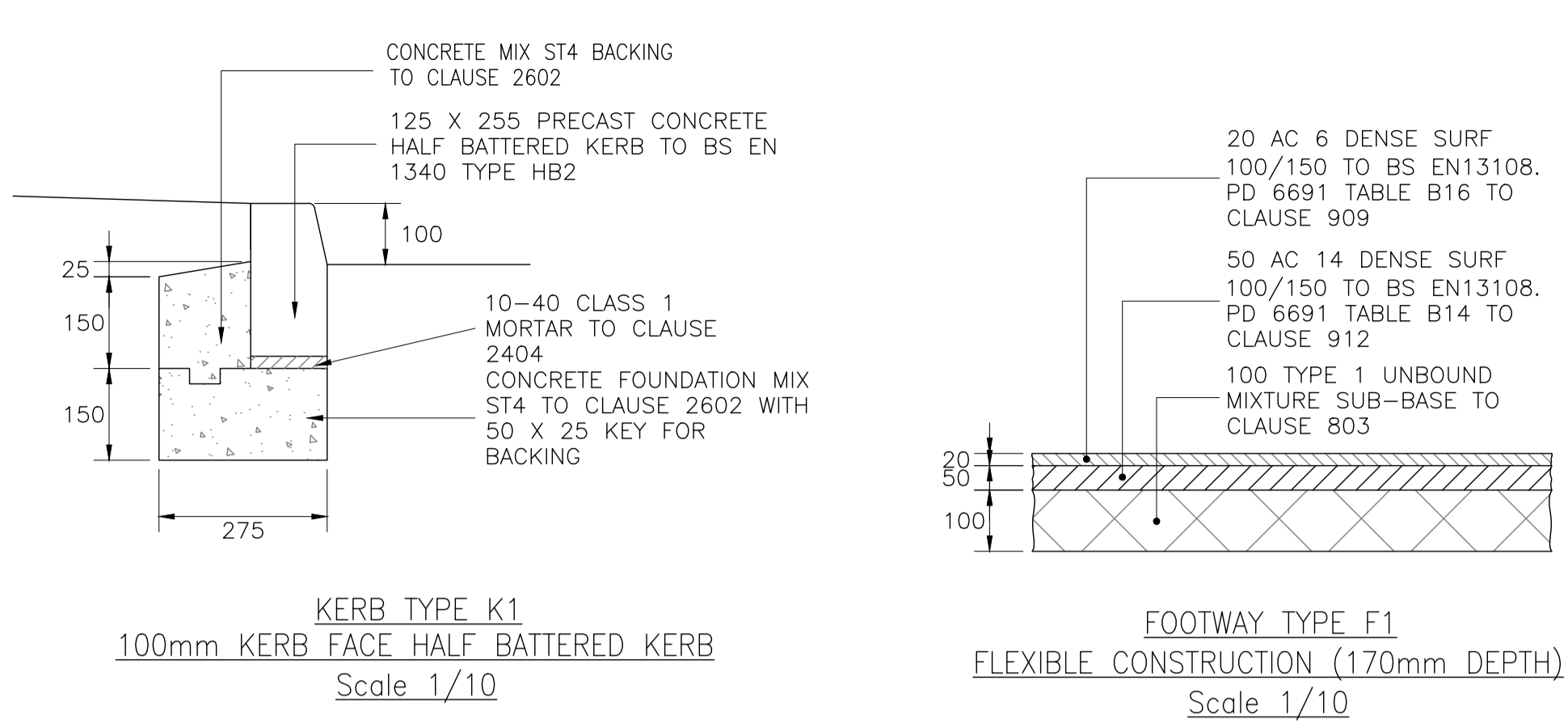


All rights reserved. No part of this document may be reproduced in any material form (including photocopying or storing in any medium) without the written permission of Northumberland County Council except in accordance with the provisions of Copyright, Designs and Patents Act 1988. Unauthorised reproduction may lead to prosecution or civil proceedings.

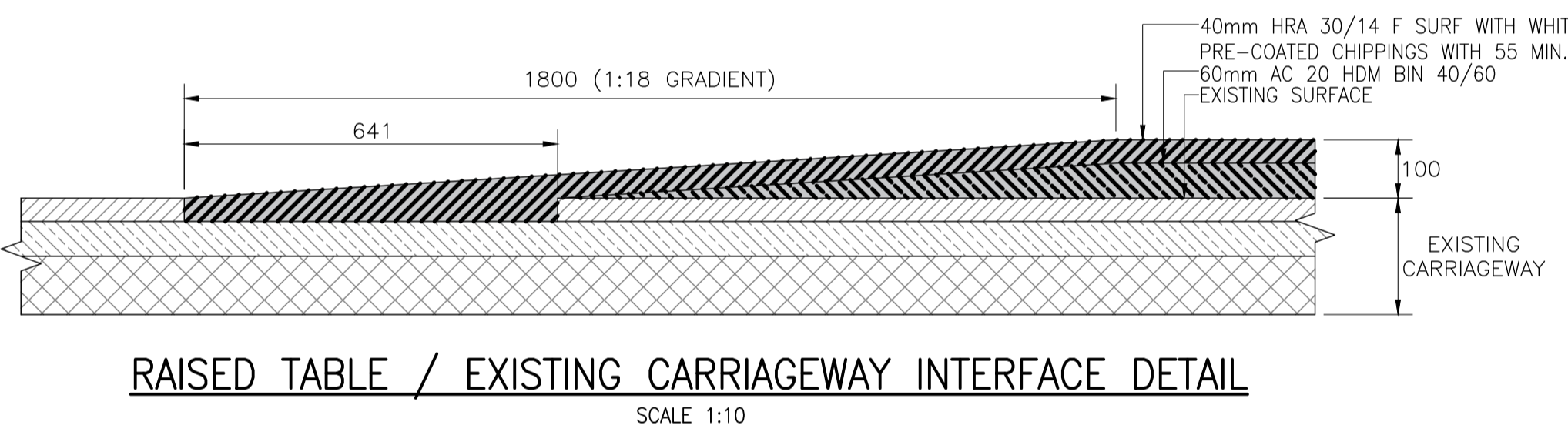
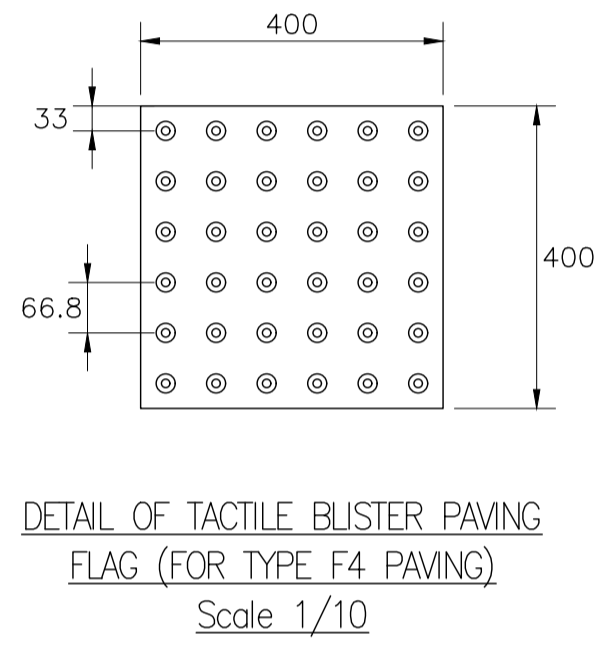
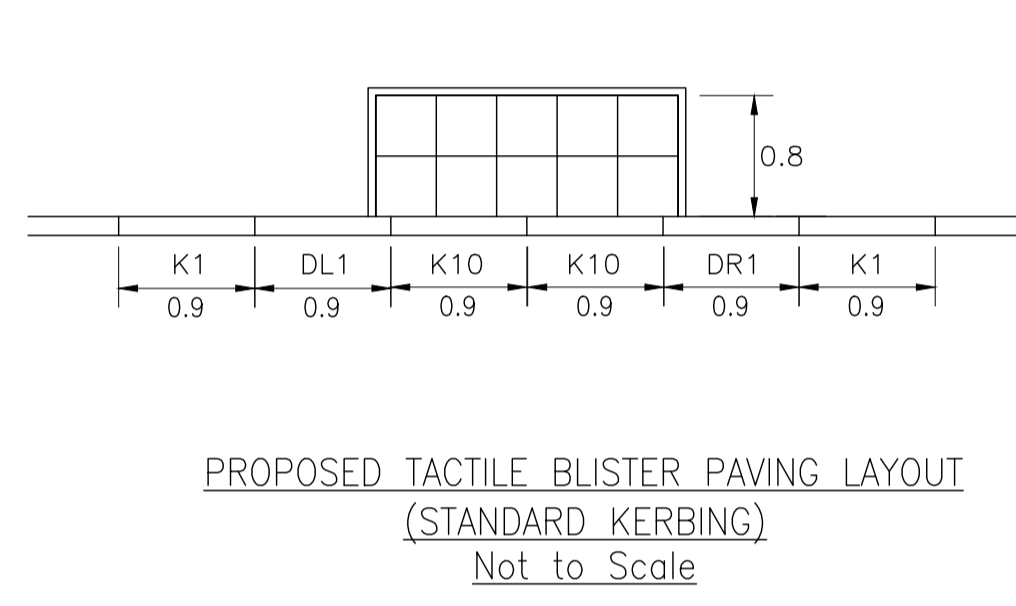
- 1.0 TRAFFIC SIGNS**
- NEW SIGNS TO COMPLY WITH BS EN 12899-1:2007, AND NATIONAL ANNEX, BE MANUFACTURED FROM ALUMINIUM COMPOSITE PANEL WITH CLASS RA2 SIGN FACE SHEETING UNLESS STATED OTHERWISE IN TRAFFIC SIGN SCHEDULE.
 - DESIGN WIND-LOADING TO DETERMINE SIGN SUPPORT AND FOUNDATION DESIGN TO BS EN 12899-1:2007, AND NATIONAL ANNEX, HAS BEEN ASSESSED USING BUCHANAN "SIGNLOAD" SOFTWARE OR SIMILAR APPROVED SOFTWARE.
 - ALL MECHANICAL FASTENERS FOR NEW SIGNS TO BE PROCURED ONLY FROM MHS 3 APPROVED SOURCES.
 - ENSURE POSTS DO NOT PROTRUDE ABOVE SIGN EDGE.
 - ENSURE 0.5m MINIMUM CLEARANCE FROM EDGE OF CARRIAGEWAY AND 1.2m ON HIGH SPEED DUAL CARRIAGEWAY.
 - ALL ELECTRICAL WORK TO BE UNDERTAKEN BY NCC STREET LIGHTING SECTION AND ANY EXTERNAL LIGHTING UNITS TO COMPLY WITH BS EN 12899-1:2007, AND NATIONAL ANNEX.

- 2.0 ROAD MARKINGS**
- NEW MARKINGS TO BE IN WHITE THERMOPLASTIC SCREED WITH APPLIED GLASS BEADS.
 - ROAD MARKINGS SHOULD BE IN ACCORDANCE WITH CLAUSE 1212 OF SHW, RETRO-REFLECTIVITY REQUIREMENTS COMMENCE FROM THE DATE OF APPLICATION OR DATE OF TRAFFICING, WHICHEVER IS LATER, AND SHALL LAST FOR THE FUNCTIONAL LIFE OF THE MARKING. MARKINGS TO HAVE A REQUIREMENT OF A MINIMUM RETRO-REFLECTIVITY VALUE OF 200 MCD/M²/LX. THE MINIMUM LAID THICKNESS IS 2.0MM FOR SCREED MARKINGS AND 1.5MM FOR SPRAY APPLIED MARKINGS. IN NO CASE SHALL ANY MATERIAL BE LAID MORE THAN 6MM THICK.

- 3.0 GENERAL**
- ALL WORKS TO BE AGREED ON SITE PRIOR TO COMMENCEMENT.
 - ANY QUERIES PLEASE CONTACT JOHN MATHER, COUNTY HALL, TEL No. 01670 624131.

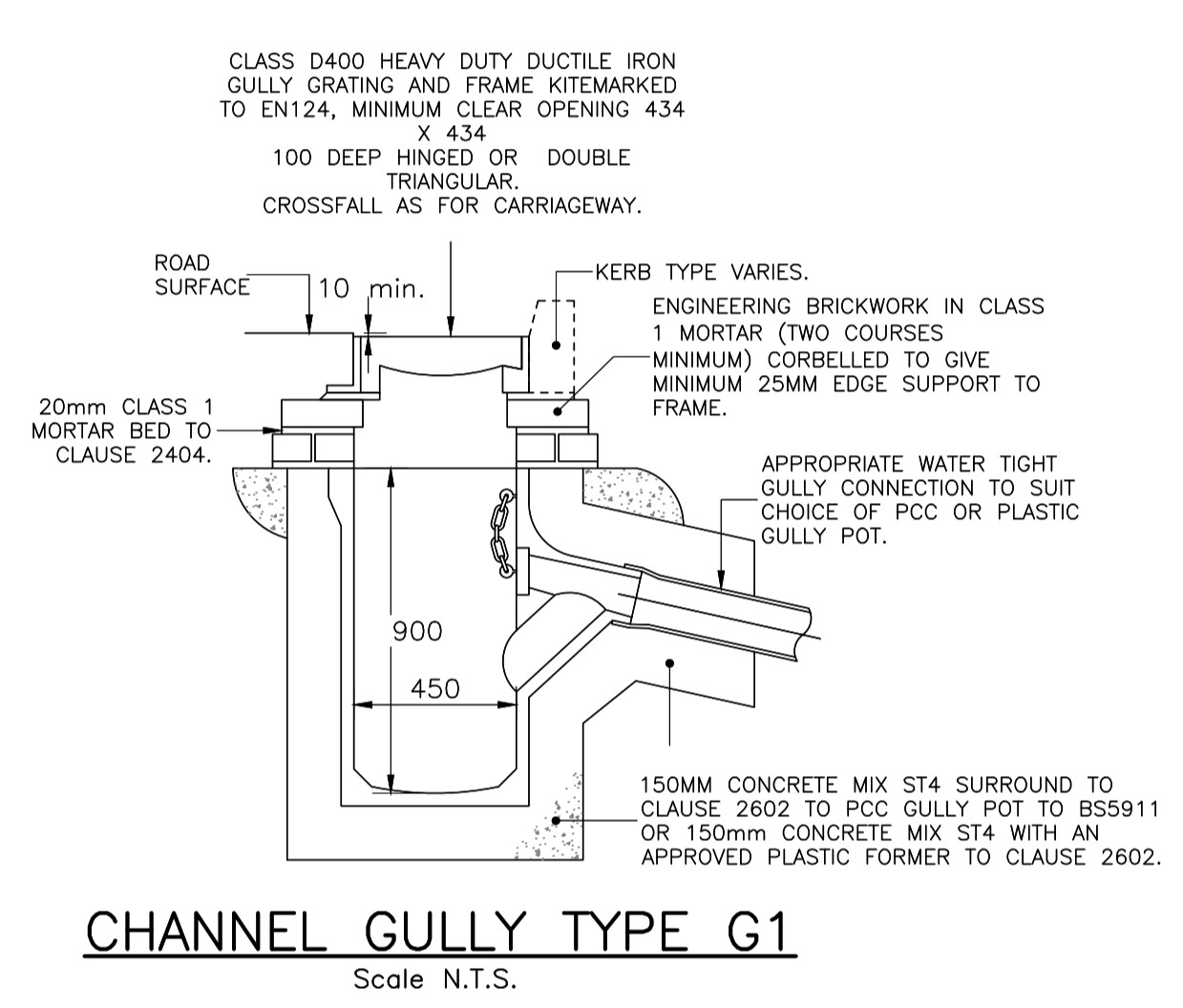


NEW TRAFFIC SIGNS											
SIGN REF No.	TSR&GD 2016 DIAG No.	'x' HEIGHT	LEGEND	No. OF	SURFACE	APPROX SIZE (m)	POSTS/SIGN			MOUNTING HEIGHT (m)	REMARKS
							DIA (mm)	LENGTH (m)	No. OFF		
301	Schedule 2 Part 2 Item 25 Diagram 545	-		1	CLASS RA2	0.6	76 WIDE BASED	4.2	1	3.1	TO BE LOCATED IN FOOTWAY AT APPROXIMATE LOCATION OF SIGN REF No. 201 TO BE REMOVED.
302	Schedule 14 Part 2 Item 69 Diagram 545.1	50 100 50		1	CLASS R2	0.435 x 0.700	-	-	-	2.1	TO BE MOUNTED BENEATH SIGN REF No. 304 ON EXISTING POST.
303	Schedule 14 Part 2 Item 23 Diagram 4004	-		1	CLASS R2	0.195 x 0.66	-	-	-	1.4	TO BE MOUNTED BENEATH SIGN REF No. 302 ON EXISTING POST. ELECTRICAL CONNECTION FROM ADJACENT LIGHTING COLUMN.
304	Schedule 2 Part 2 Item 25 Diagram -	75		1	CLASS RA2	0.595 x 0.28	-	-	-	2.76	TO BE MOUNTED BENEATH SIGN REF No. 301 ON EXISTING POST.
305	Schedule 2 Part 2 Item 25 Diagram 545	-		1	CLASS RA2	0.6	76 WIDE BASED	4.35	1	2.8	TO BE LOCATED WITHIN SPLITTER ISLAND (ENSURE SUITABLE CLEARANCES BETWEEN EDGE OF SIGN AND EDGE OF CARRIAGEWAY).
306	Schedule 14 Part 2 Item 69 Diagram 545.1	50 100 50		1	CLASS RA2	0.435 x 0.700	-	-	-	2.1	TO BE MOUNTED BENEATH SIGN REF No. 305 ON EXISTING POSTS.
307	Schedule 14 Part 2 Item 23 Diagram 4004	-		1	CLASS RA2	0.195 x 0.66	-	-	-	1.4	TO BE MOUNTED BENEATH SIGN REF No. 306 ON EXISTING POST. ELECTRICAL CONNECTION FROM ADJACENT LIGHTING COLUMN AS SHOWN.
308	Schedule 2 Part 2 Item 43 Diagram 557.1	-		1	CLASS RA2	0.6	-	-	-	-	SEE REMARKS
309	Schedule 2 Part 2 Item 43 Diagram -	75		1	CLASS RA2	0.63 x 0.28	-	-	-	-	SEE REMARKS
310	Schedule 2 Part 2 Item 43 Diagram 557.1	-		1	CLASS RA2	0.6	76	3.53	1	2.43	TO BE MOUNTED ON NEW POST AT LOCATION SHOWN.
311	Schedule 2 Part 2 Item 43 Diagram -	75		1	CLASS RA2	0.63 x 0.28	-	-	-	2.1	TO BE MOUNTED BENEATH SIGN REF No. 310 ON EXISTING POST.
312	Schedule 2 Part 2 Item 43 Diagram 557.1	-		1	CLASS RA2	0.6	76	3.53	1	2.43	TO BE MOUNTED ON NEW POST AT LOCATION SHOWN.
313	Schedule 2 Part 2 Item 43 Diagram -	75		1	CLASS RA2	0.63 x 0.28	-	-	-	2.1	TO BE MOUNTED BENEATH SIGN REF No. 312 ON EXISTING POST.



NEW ROAD MARKINGS						
REF No.	TSR&GD 2016 DIAG No.	MARK (m)	GAP (m)	WIDTH (m)	ROAD STUDS	USE
A	Schedule: 9 Part: 6 Item: 3 Diagram: 1003A	0.6	0.3	0.2	-	GIVE WAY ROAD MARKING
B	Schedule: 11 Part: 4 Item: 8 Diagram: 1009A	0.6	0.3	0.1	-	GIVE WAY EXTENSION LINE
C	Schedule: 11 Part: 4 Item: 2 Diagram: 1004	4.0	2.0	0.1	-	CENTRE LINE
D	Schedule: 9 Part: 6 Item: 4 Diagram: 1023A	3.75	-	1.25	-	GIVE WAY TRIANGLE
E	Schedule: 11 Part: 4 Item: 33 Diagram: 1062	0.75 MAX	-	-	-	ROAD HUMPS TRIANGLE
F	Schedule: 7 Part: 4 Item: 6 Diagram: 1028.4	1.0	1.0	0.1	-	PARKING BAY MARKING

EXISTING TRAFFIC SIGNS TO BE TAKEN DOWN AND DISPOSED OF OFF SITE											
SIGN REF No.	TSR&GD 2016 DIAG No.	'x' HEIGHT	LEGEND	No. OF	SURFACE	APPROX SIZE (m)	POSTS/SIGN			MOUNTING HEIGHT (m)	REMARKS
							DIA (mm)	LENGTH (m)	No. OFF		
301	545	-		1	-	-	-	-	-	-	SIGN AND SINGLE POST TO BE TAKEN DOWN AND DISPOSED OF OFF SITE.



Reproduced from based upon the Ordnance Survey mapping with permission of the Controller of Her Majesty's Stationery Office. © Crown copyright. Unauthorised reproduction infringes Crown copyright and may lead to prosecution or civil proceedings. NORTHUMBERLAND COUNTY COUNCIL - O.S. License No. 100049048 (2005)

Drawing Status: CONSTRUCTION

Client: NORTHUMBERLAND COUNTY COUNCIL COUNTY HALL, MORPETH NORTHUMBERLAND, NE61 2EF

Job Title: B1334 NEWBIGGIN ROAD, ASHINGTON

Drawing Title: CONSTRUCTION DETAILS

Scale(s): 1:500

Northumberland County Council
Technical Services

Drawn: SY Date: DEC'19 Checked: KB Passed: CM

Drawing Number: HC19545/00/B1334/01/02

Oracle Number: HC19545